

Thank you for purchasing the Amp / Cabinet Selector! Please read this manual before using the switch.

WARNINGS

- This device is not designed to be switched under signal conditions.
- Dummy loads are rated at 55W and included as a precaution. Unused amps should be on standby or off.

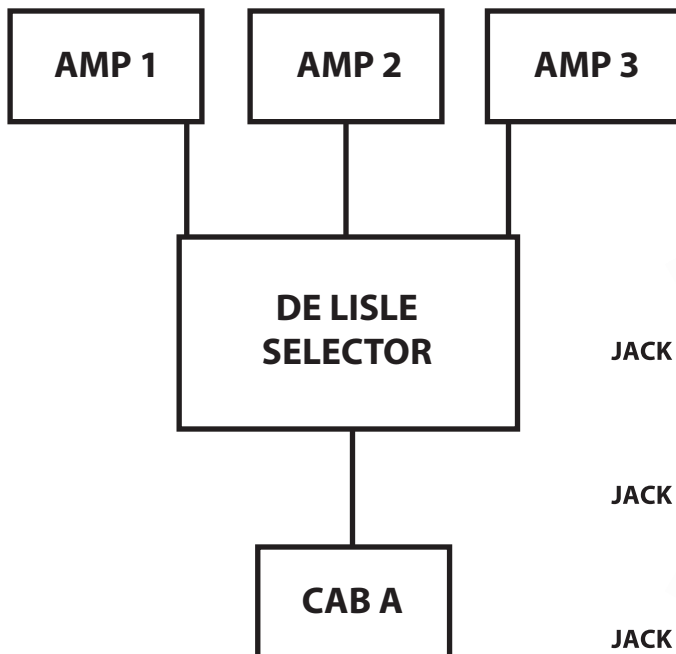
When used as an amp selector, unselected amps will see an internal load to help prevent damage. Similarly, when used as a cabinet selector, jacks with no cable inserted will be switched to an internal load. So, one can use a single cabinet or two cabinets without worrying about switching to an open cabinet jack.



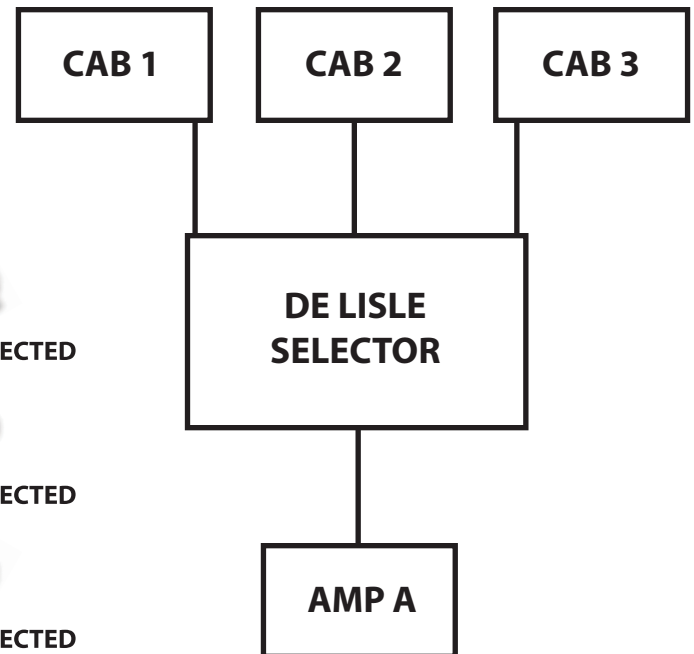
REAR PANEL



AMP SELECTOR CONFIGURATION



CAB SELECTOR CONFIGURATION



Pick up our ABC pedal for easier switching on the front end!
<http://www.delisleguitar.com/index.php/pedals#ABC>